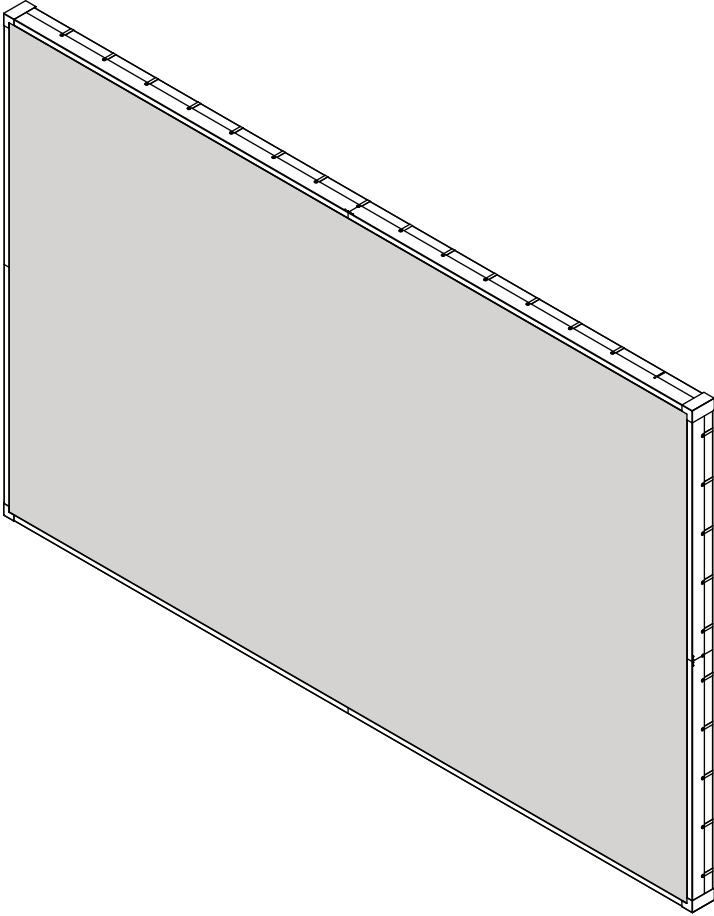


# peerless-AV<sup>®</sup>

## DS-LEDTK Series



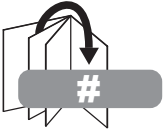
## ⚠ WARNING

ENG - This product is designed to be installed on plywood walls. Hardware is included for plywood installation. This product is designed to be installed on flat, unobstructed, vertical walls. Do not install on curved or angled walls. Before installing make sure the supporting surface will support the combined load of the equipment and hardware. Screws must be tightly secured. Do not overtighten screws or damage can occur and product may fail. Never exceed the Maximum Load Capacity. Always use an assistant or mechanical lifting equipment to safely lift and position equipment. This product is intended for indoor use only. Use of this product outdoors could lead to product failure or personal injury. Be careful not to pinch fingers when operating the mount. For support please call customer care at 1-800-865-2112.

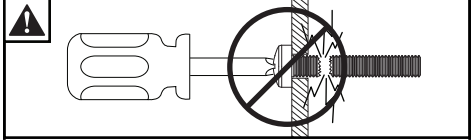
ENG Symbols



ENG WARNING



ENG Skip to step.

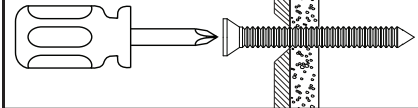


ENG Do not overtighten screws.

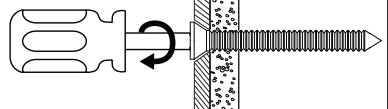


ENG To properly tighten screws: Tighten until screw head makes contact, then tighten another 1/2 turn. Do not overtighten screws.

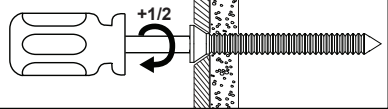
1



2



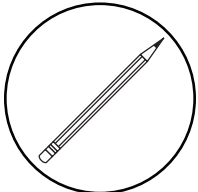
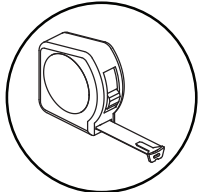
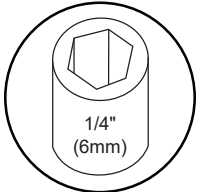
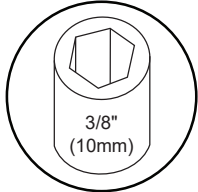
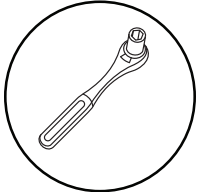
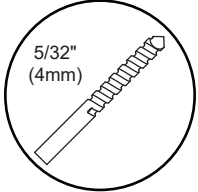
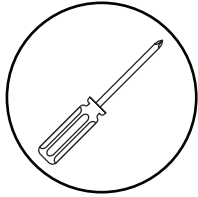
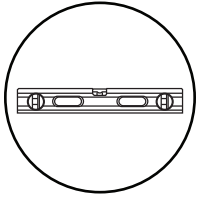
3



4



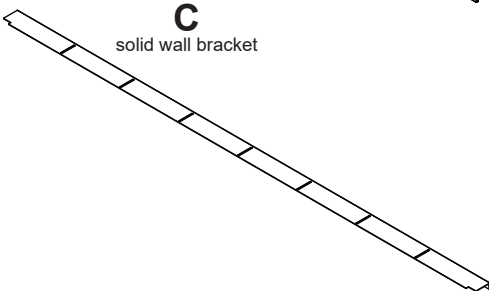
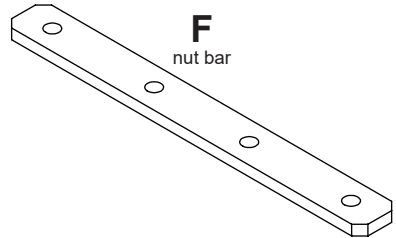
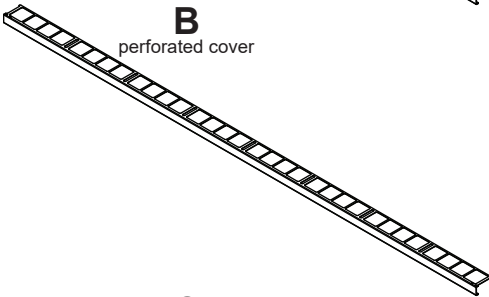
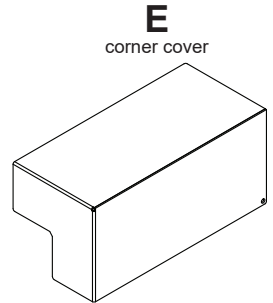
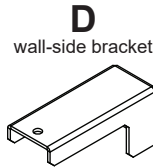
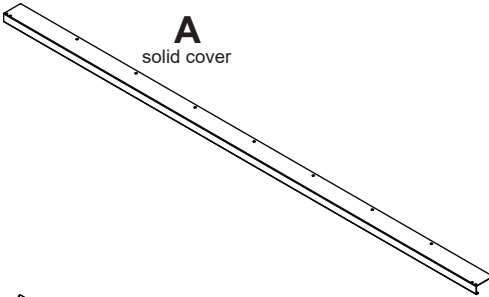
**ENG** Tools Needed for Assembly.

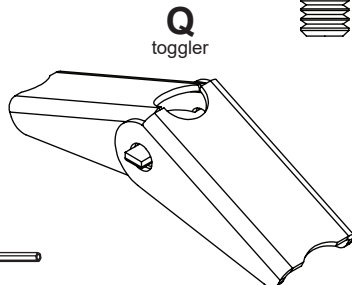
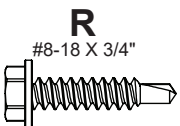
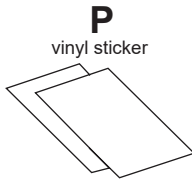
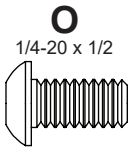
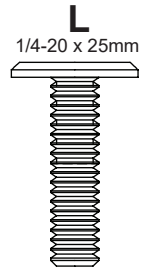
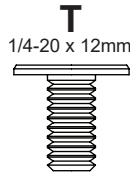
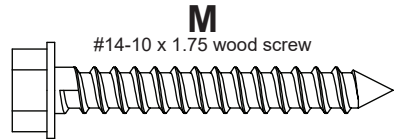
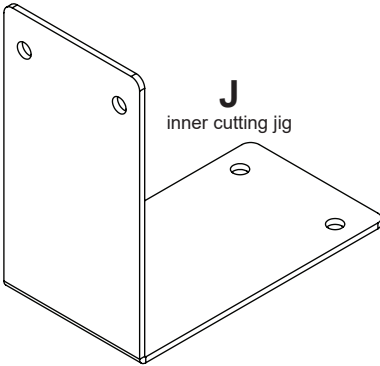
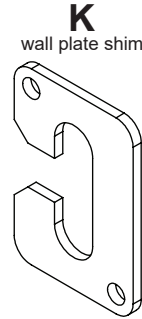
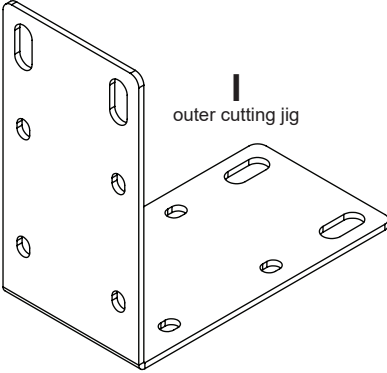
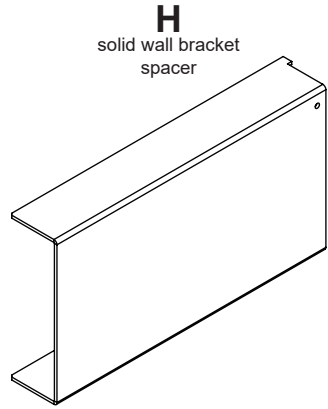
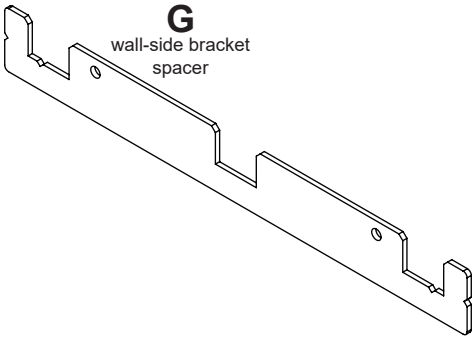


<b>ENG</b> To properly tighten screws: Tighten until screw head makes contact, then tighten another 1/2 turn. Do not overtighten screws.
<b>1</b> 
<b>2</b> 
<b>3</b> 
<b>4</b> 

**ENG** Parts (Before beginning, make sure you have all parts shown below).

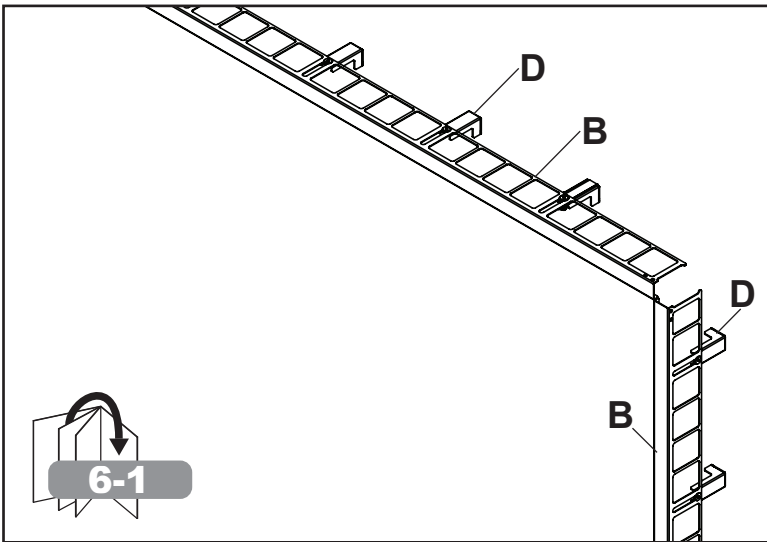
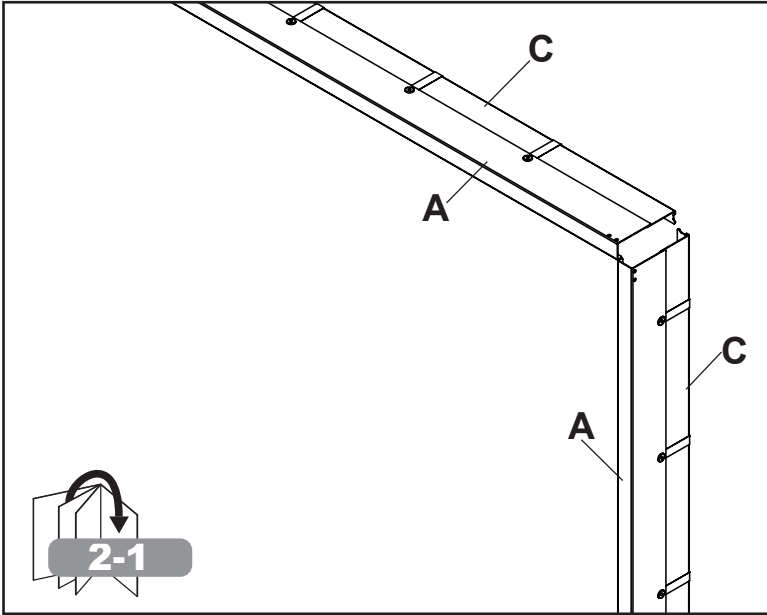
<b>Parts List</b>	
Description	Part #
<b>A</b> solid cover	-
<b>B</b> perforated cover	-
<b>C</b> solid wall bracket	-
<b>D</b> wall-side bracket	147-1859
<b>E</b> corner cover assembly	147-1876
<b>F</b> nut bar	147-T1881
<b>G</b> wall-side bracket spacer	147-T1879
<b>H</b> solid wall bracket spacer	147-T1880
<b>I</b> outer cutting jig	147-T1882
<b>J</b> inner cutting jig	147-T1883
<b>K</b> wall plate shim	147-1891
<b>L</b> 1/4-20 x 25mm screw	521-0710
<b>M</b> #14-10 x 1.75 wood screw	521-1688
<b>N</b> M3 x 8mm phillips	521-0711
<b>O</b> 1/4-20 x 1/2 btn skt scr	520-1169
<b>P</b> vinyl sticker	580-0535
<b>Q</b> toggler	590-1093
<b>R</b> #8-18 X 3/4" self drilling screw	521-0714
<b>S</b> 4mm allen wrench	560-9646
<b>T</b> 1/4-20 x 12mm screw	520-2325





# 1

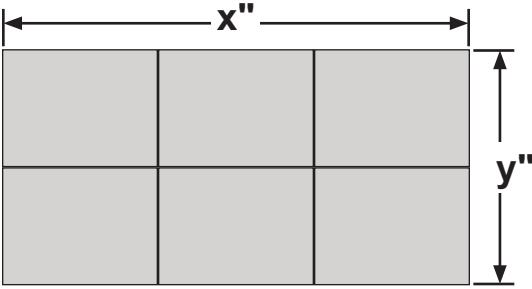
ENG Follow steps for solid or perforated trim kits.



**Alternate steps for Unilumin Upanels sides with bump-outs start on page 22.**

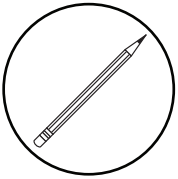
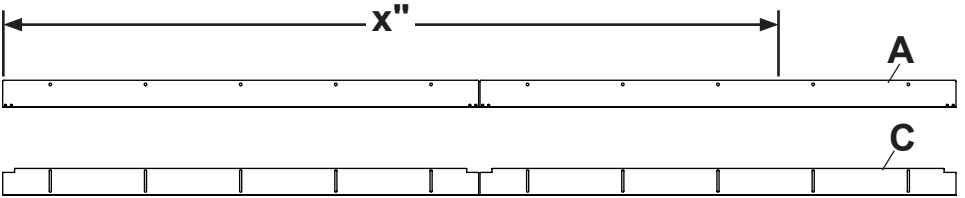
## 2-1

**ENG** Measure video wall dimensions.

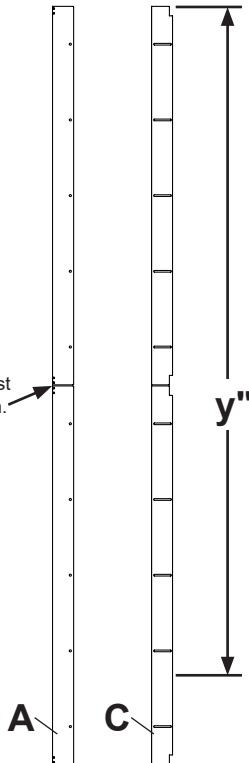


## 2-2

**ENG** Mark cutting line on wall plates and covers. Do not join covers until installing covers to the wall.

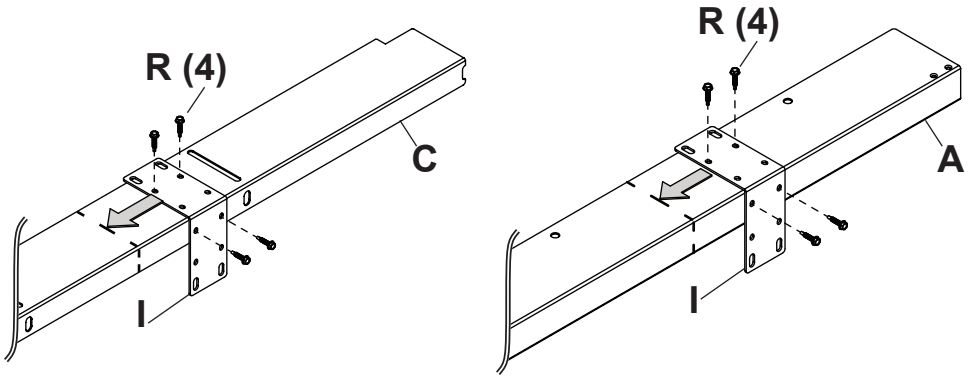
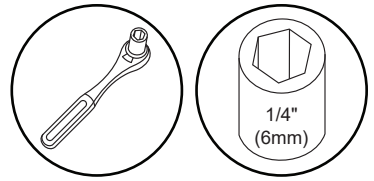


**ENG** Uncut edges must form inside seam.

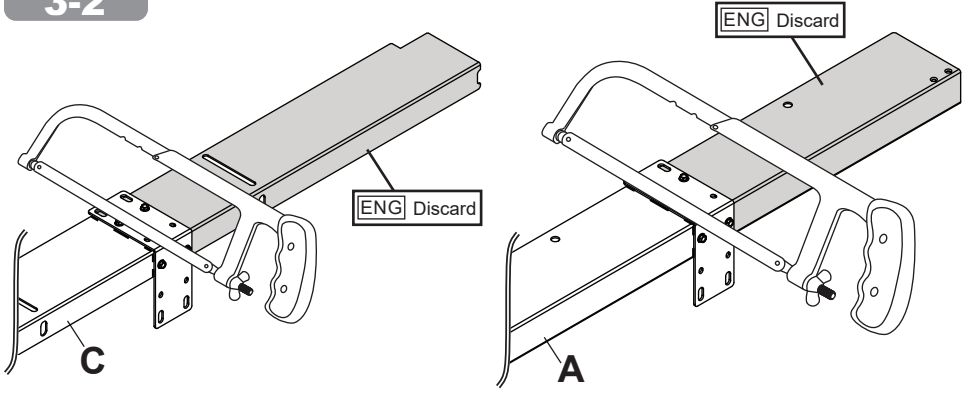


### 3-1

**ENG** Optional: Clamp or fasten cutting fixture to side of cover being discarded.



### 3-2



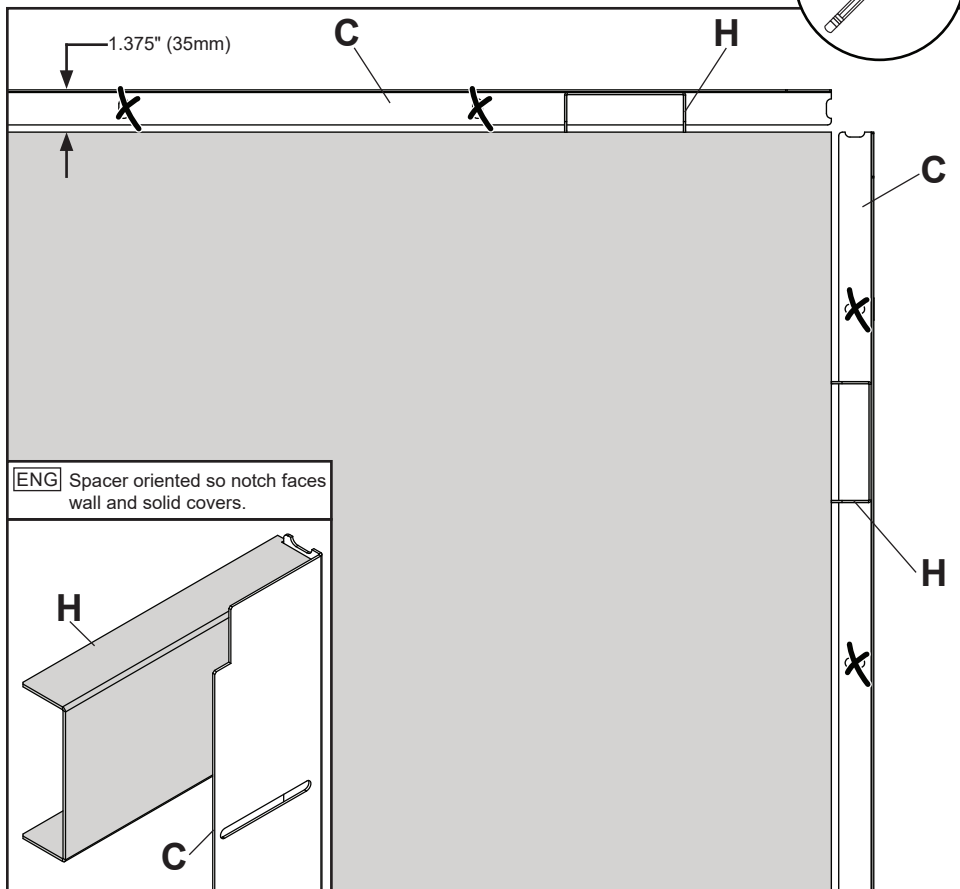


## ⚠ WARNING

ENG - When installing Peerless wall mounts on a wood stud wall covered with plywood, verify that the wood studs are a minimum of 2" x 4" nominal size and plywood is a minimum Grade BC, 1/2" (13 mm) thick. Plywood may be covered by gypsum board (drywall) up to 5/8" thick.

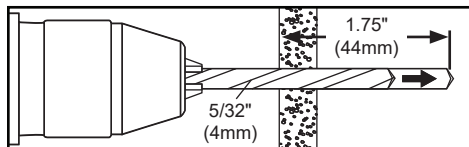
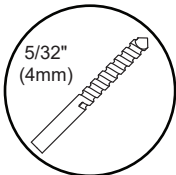
### 4-1

ENG Align wallplates with edge of video wall, using spacer to set final position.



ENG Spacer oriented so notch faces wall and solid covers.

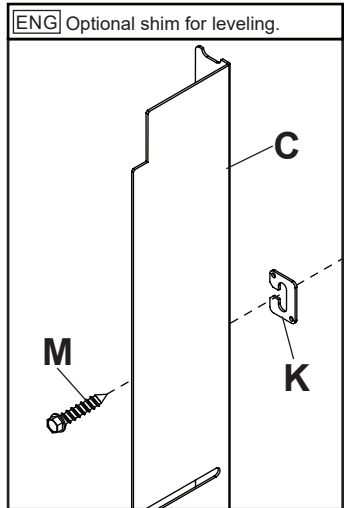
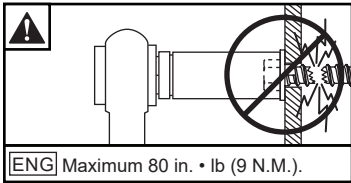
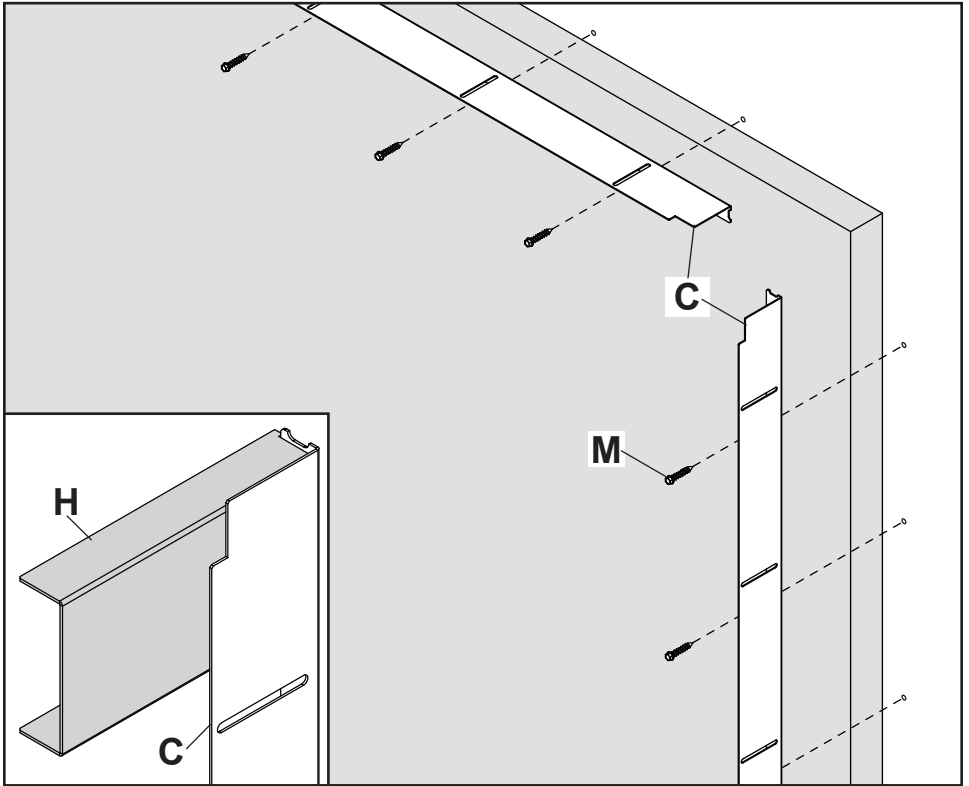
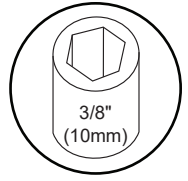
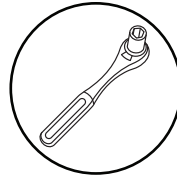
### 4-2



ENG Drill mounting holes into supporting surface (1.75" (44mm) minimum depth required).

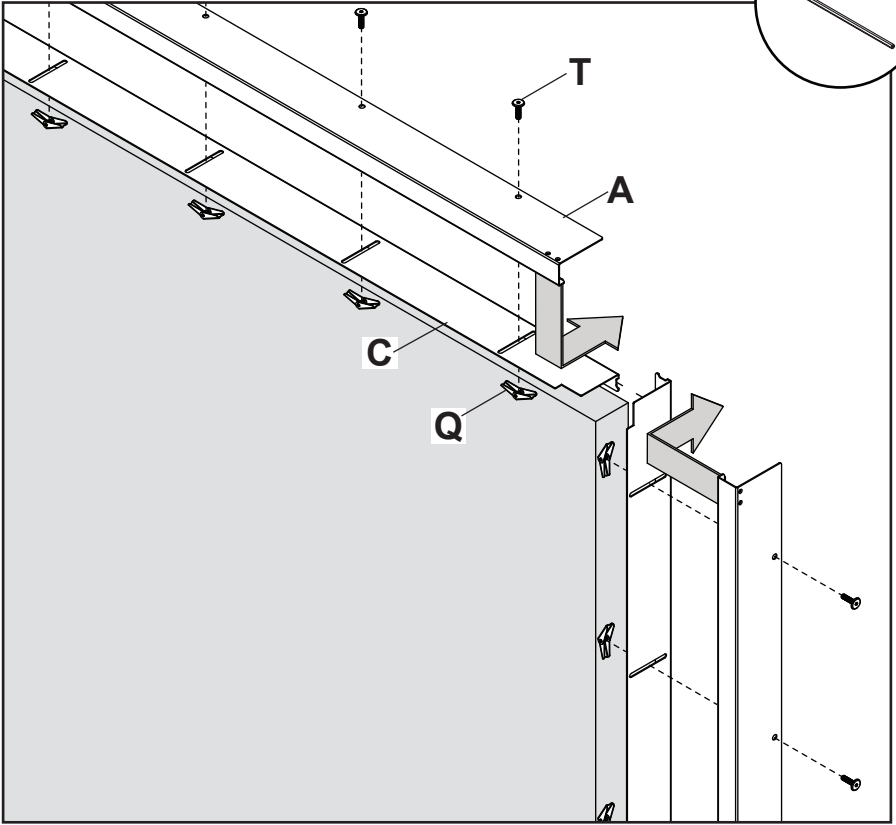
# 4-3

**ENG** Install using wood screws provided.  
Use spacer to set final position of wall bracket.



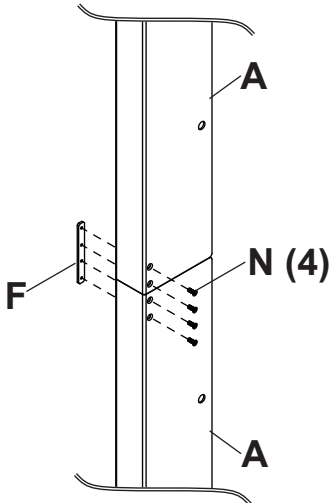
## 5-1

ENG Place wall plate cover over wall plate. Slide back until flush with front of video wall.



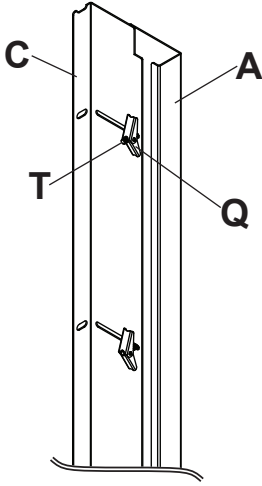
## 5-2

ENG Attach covers with nut bar inside cover. Displays not shown for clarity.



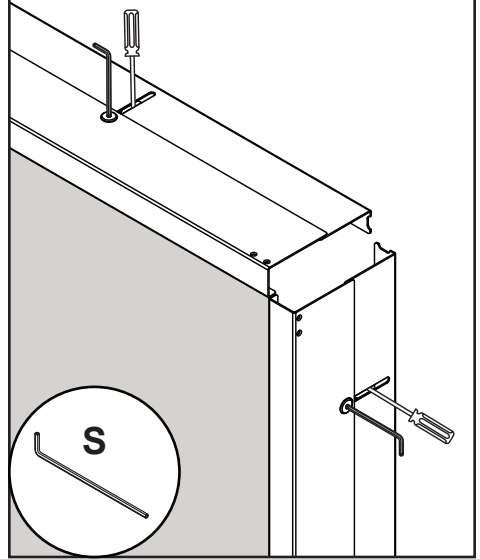
### 5-3

**ENG** Attach togglers loosely, one at a time. Then, tighten all. Displays not shown for clarity.

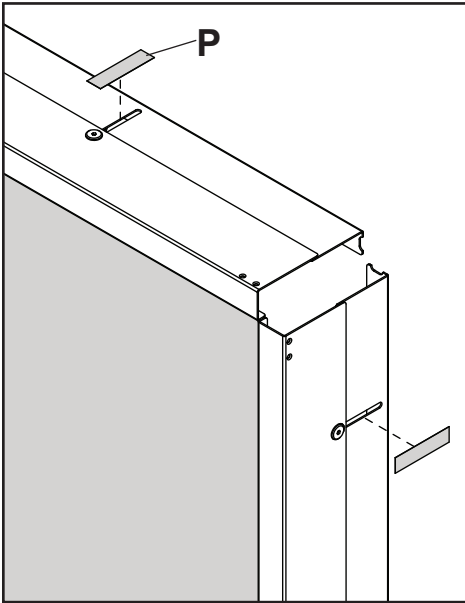


### 5-4

**ENG** Use screwdriver to hold toggler in place while tightening toggler screws.

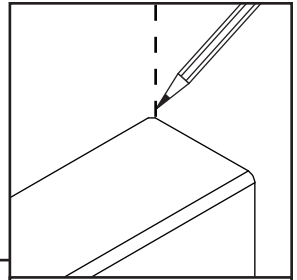
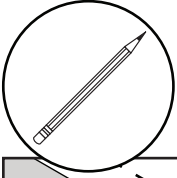


### 5-5

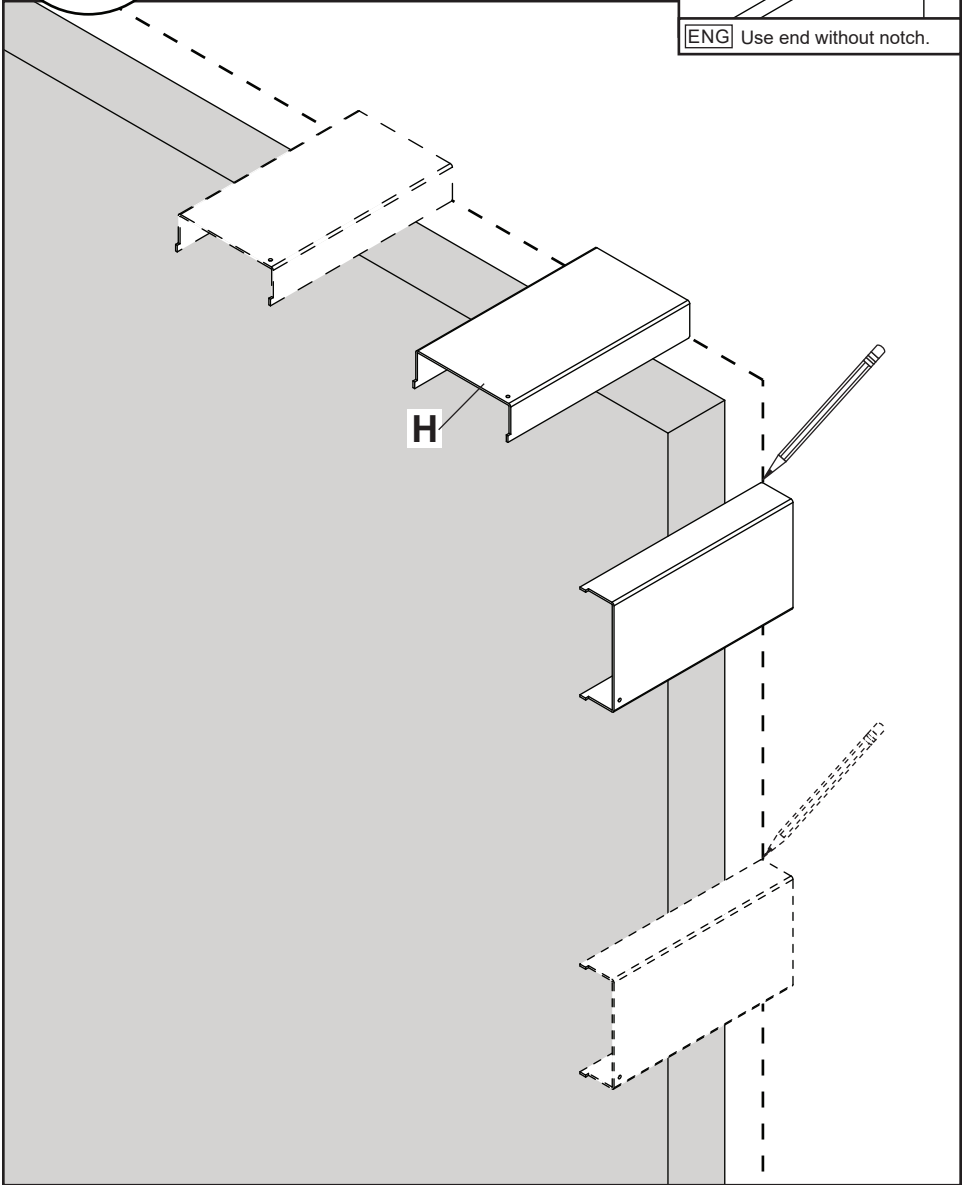


# 6-1

**ENG** To begin installing perforated trim, create guiding line around unit using spacer provided.

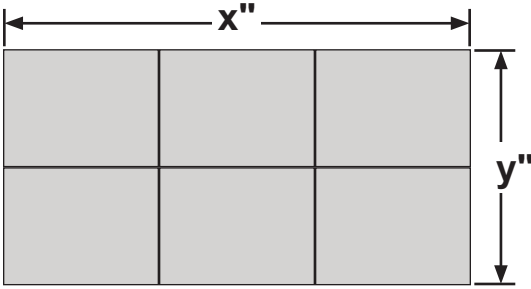


**ENG** Use end without notch.



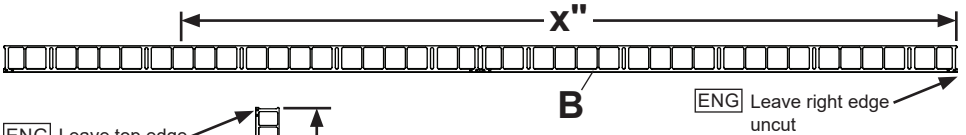
## 6-2

**ENG** Measure video wall dimensions.

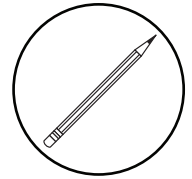
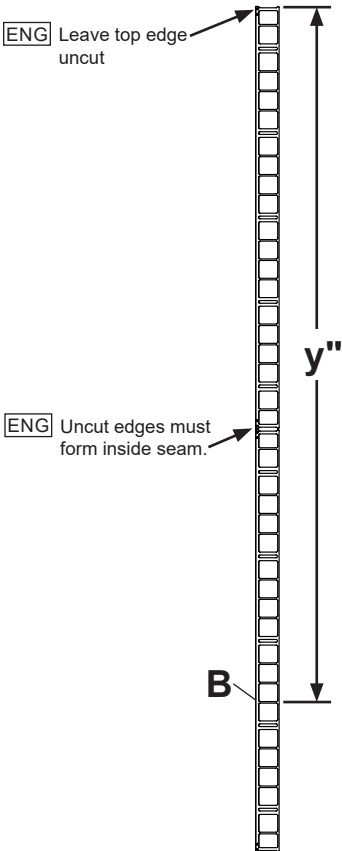


## 6-3

**ENG** Mark cutting line on covers. Do not join covers until installing covers to the wall. Leave top and right cover edges uncut for proper alignment.

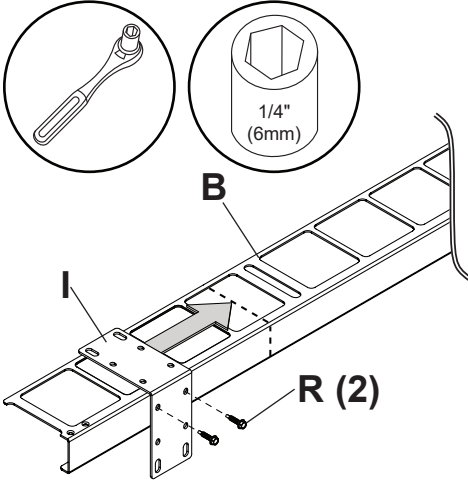


**ENG** Leave top edge uncut

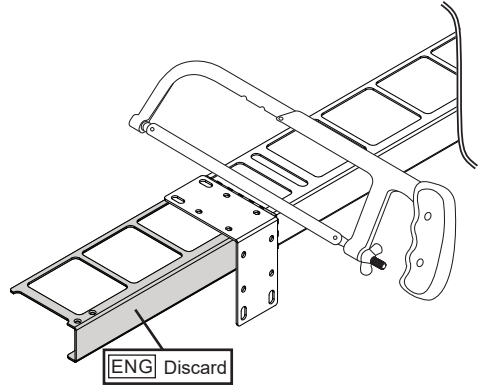


# 7-1

**ENG** Optional: Clamp or fasten cutting fixture to side of cover being discarded.

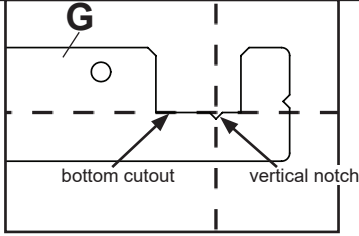


# 7-2

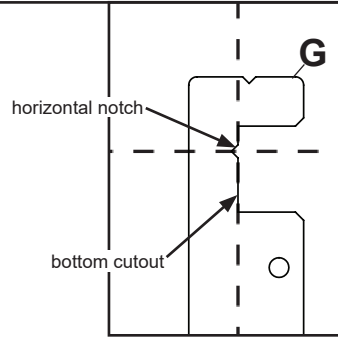


## 8-1

**ENG** Align bottom of spacer cutout and vertical notch with guiding lines.

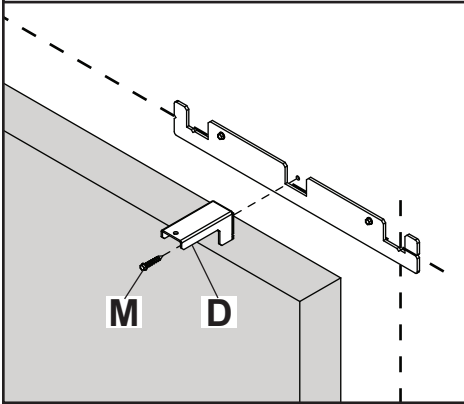


**ENG** Align bottom of spacer cutout and horizontal notch with guiding lines.

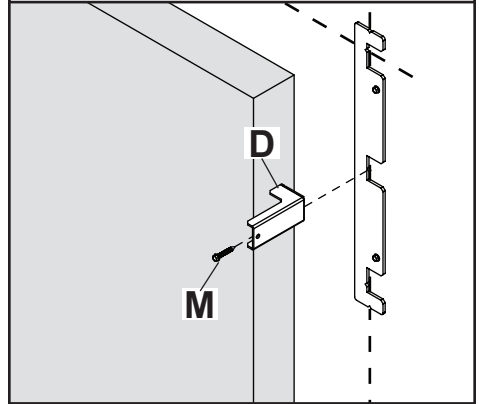


## 8-2

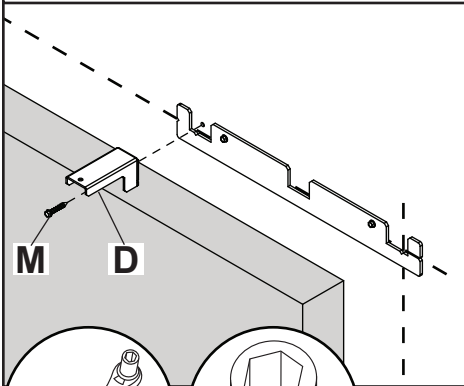
**ENG** For 5 ft. covers, install first bracket in the middle space, then every 12". Optional: Use wood screws to hold spacer in place.



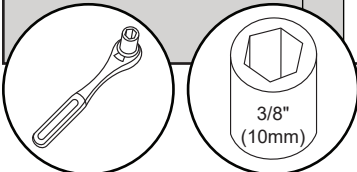
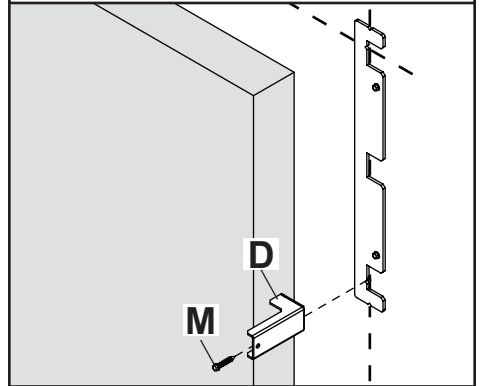
**ENG** For 5 ft. covers, install first bracket in the middle space, then every 12". Optional: Use wood screws to hold spacer in place.



**ENG** For 6 - 8 ft. covers, install first bracket at the end space, then every 12". Optional: Use wood screws to hold spacer in place.



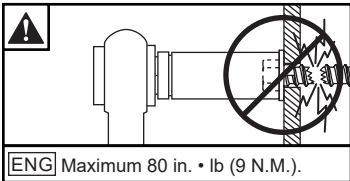
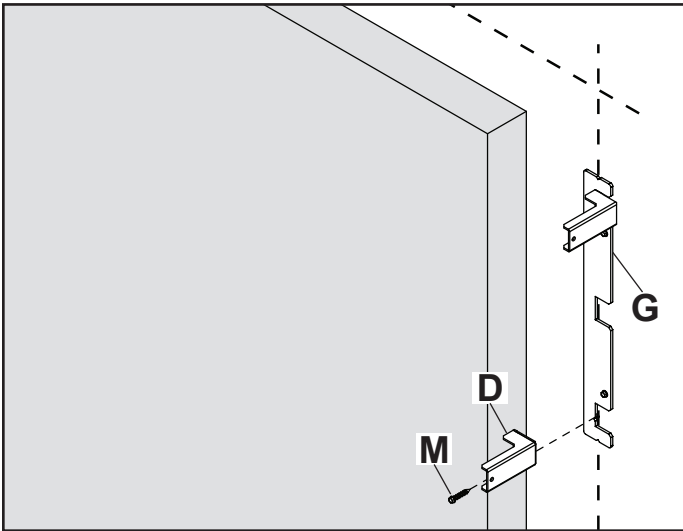
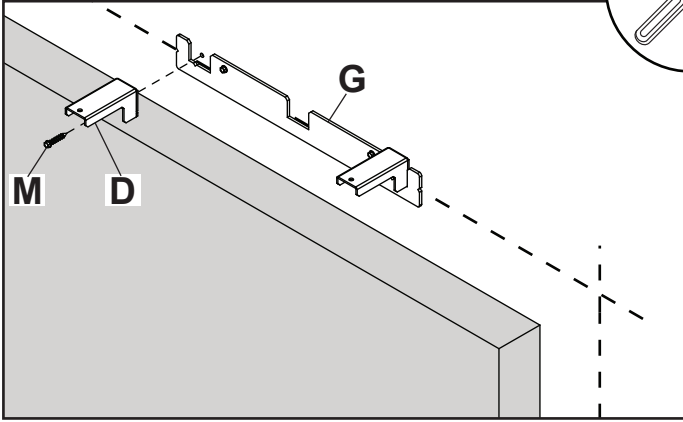
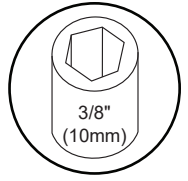
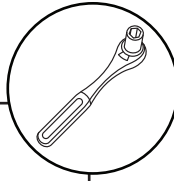
**ENG** For 6 - 8 ft. covers, install first bracket at the end space, then every 12". Optional: Use wood screws to hold spacer in place.





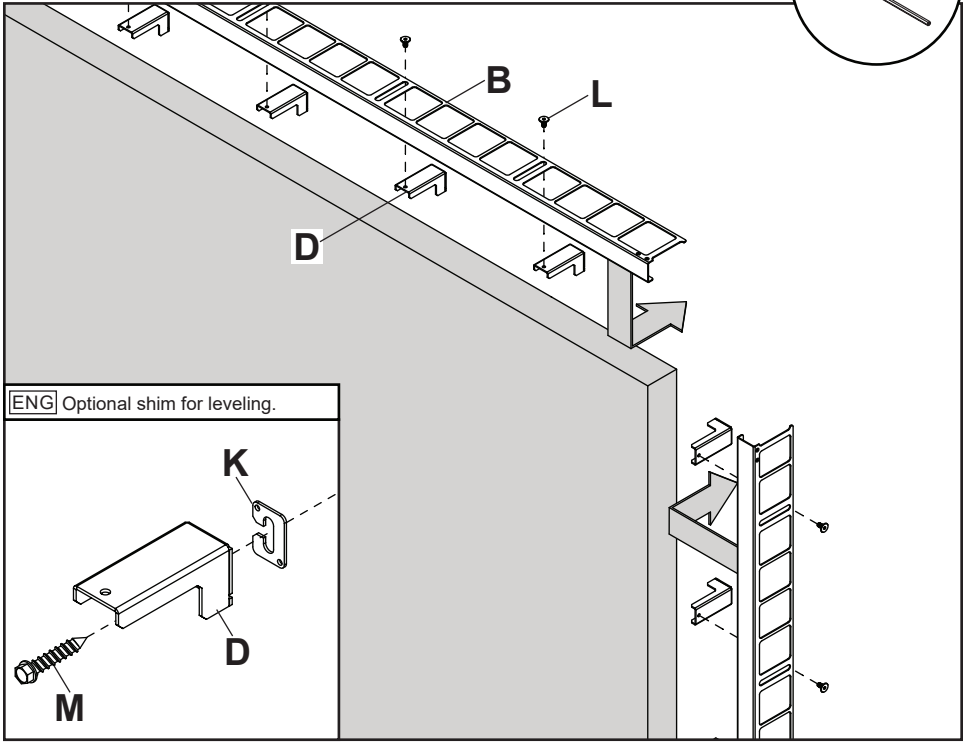
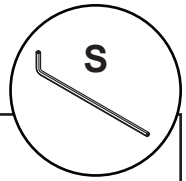
# 8-3

**[ENG]** Keep wallplates level using spacer. Install every 12" with wood screws provided.



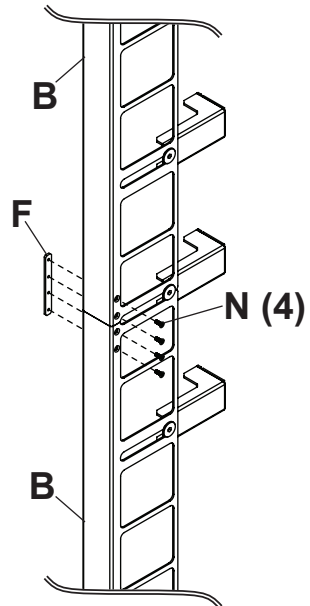
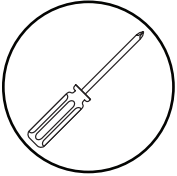
## 9-1

**ENG** Place top wall plate. Slide back until flush with front of video wall.  
Secure with hardware.



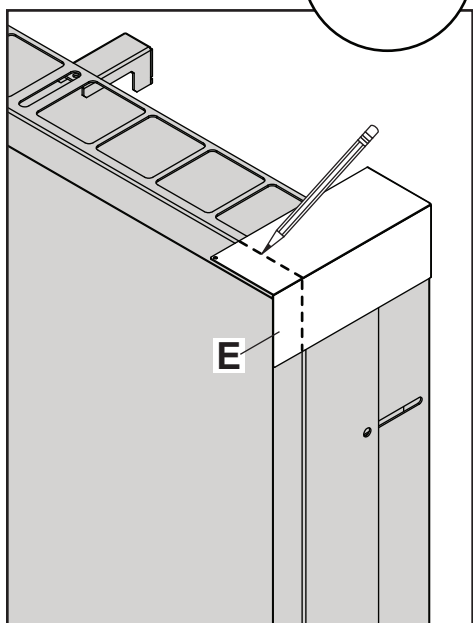
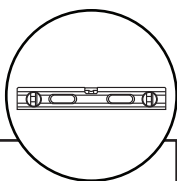
## 9-2

**ENG** Attach covers with nut bar inside cover.  
Displays not shown for clarity.



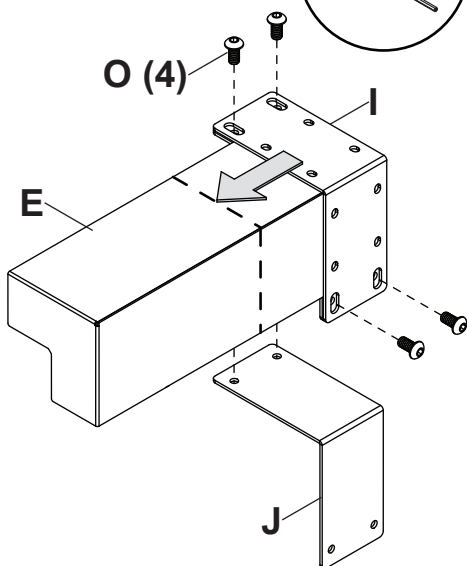
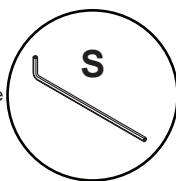
### 10-1

**ENG** Place corner cover against wall and mark cutting line.



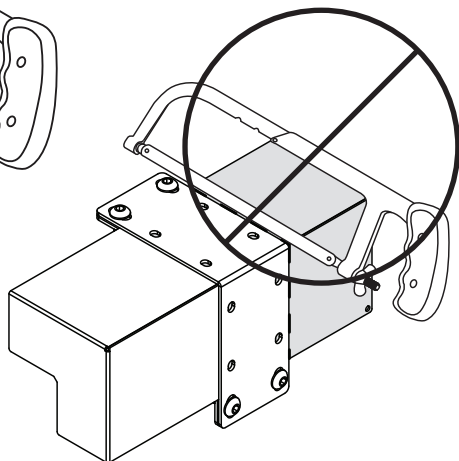
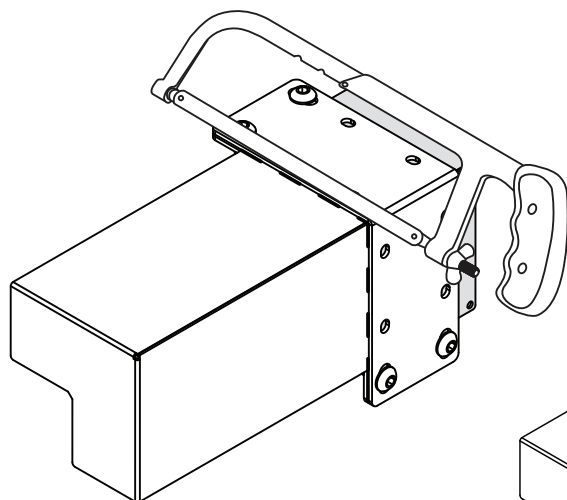
### 10-2

**ENG** Slide corner cutting fixture into place and clamp on side of cover being discarded.



### 10-3

**ENG** Cut excess corner cover off.

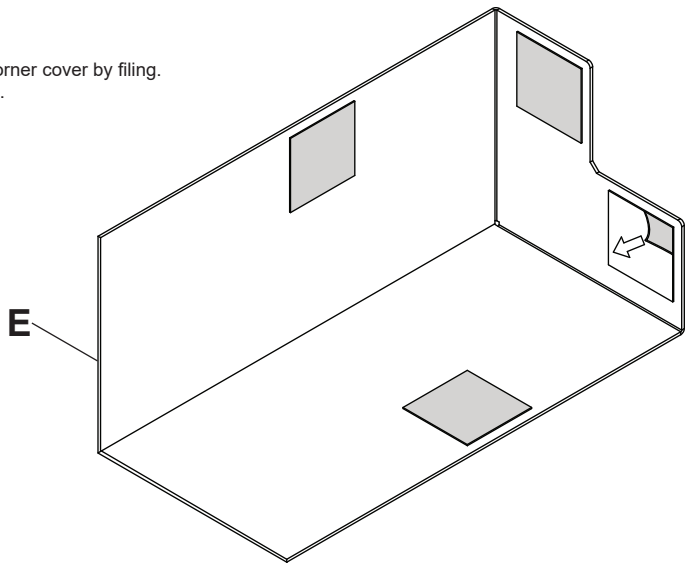


**ENG** Do not clamp fixture on wrong side of cutting line.

## 10-4

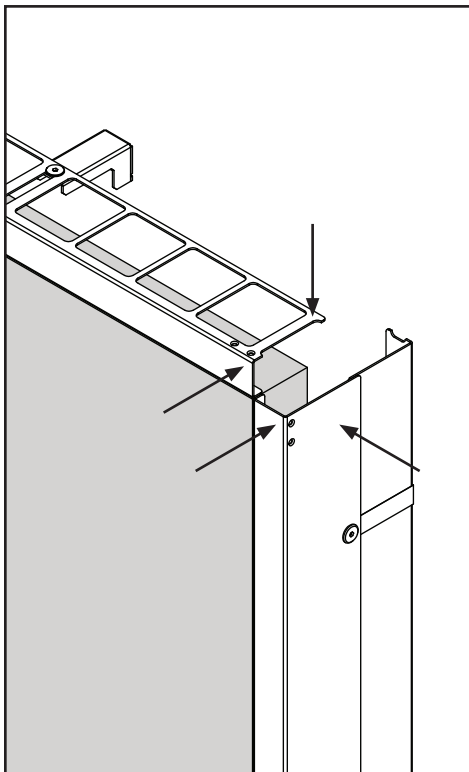
**ENG** Remove sharp edges of corner cover by filing.  
Remove adhesive backing.

**x4**



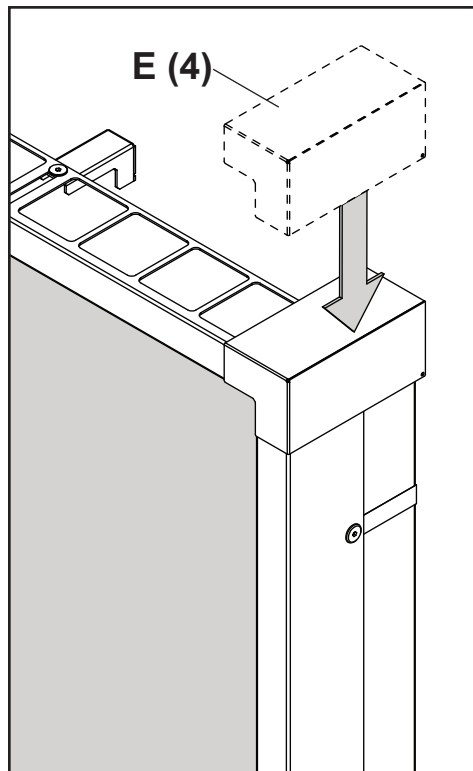
## 10-5

**ENG** Clean surfaces before applying VHB.



## 10-6

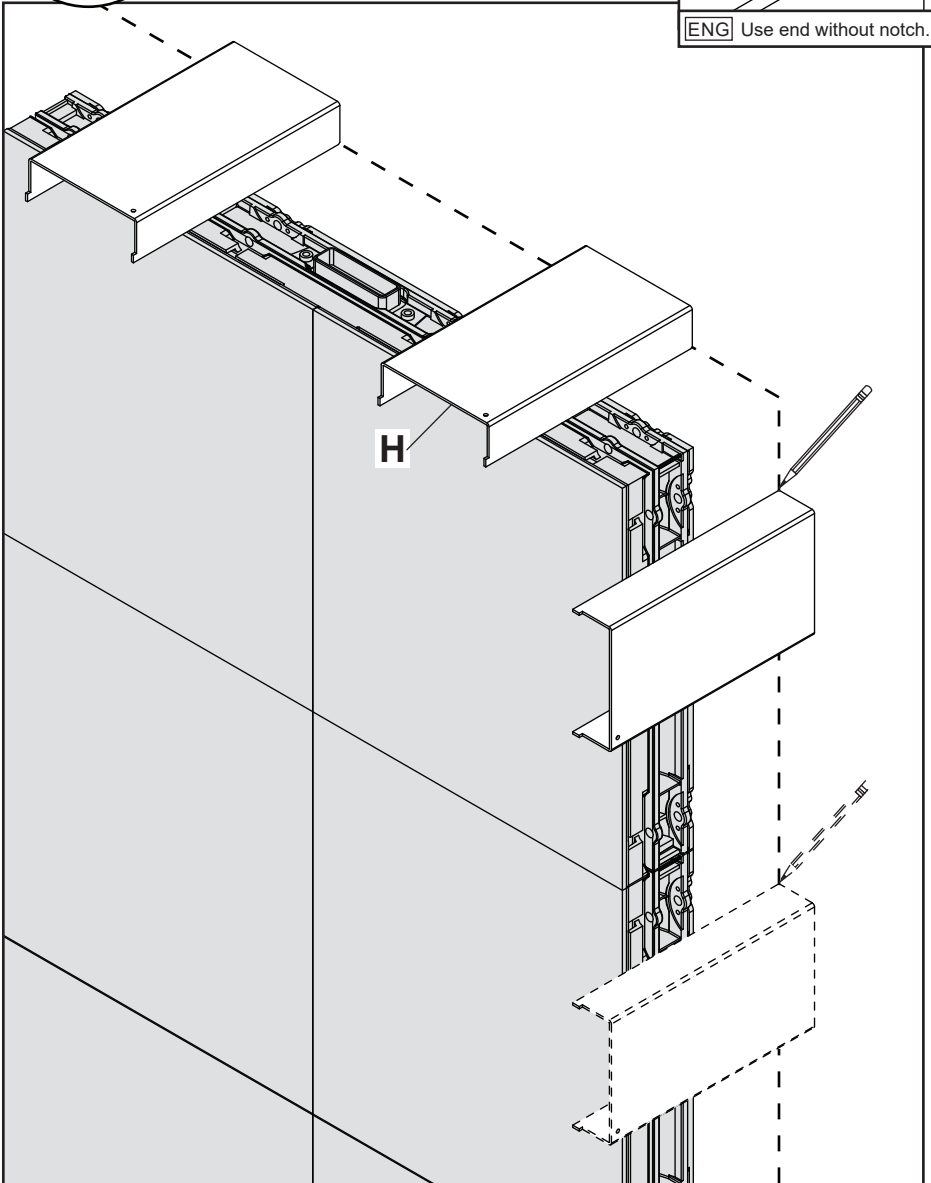
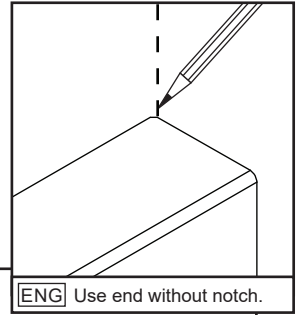
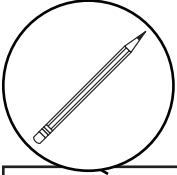
**ENG** Attach (4) corner covers with VHB.



# Alternate steps for Unilumin UpanelS sides with bump-outs

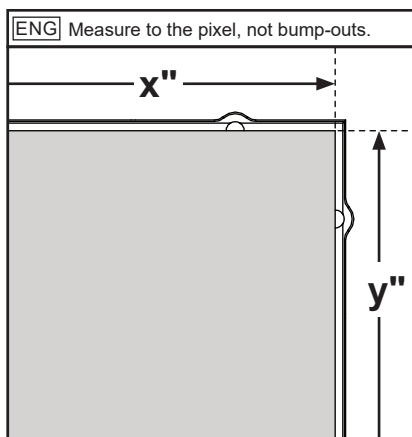
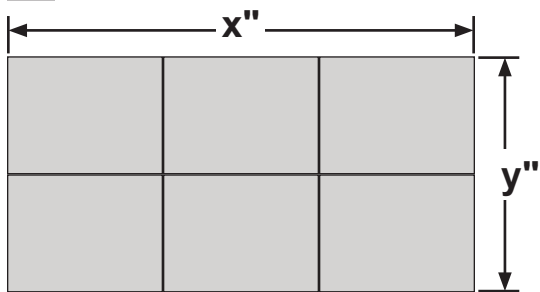
2

**ENG** To begin installing solid trim on Unilumin UpanelS edges with bump-outs, create guiding line around unit using spacer provided.



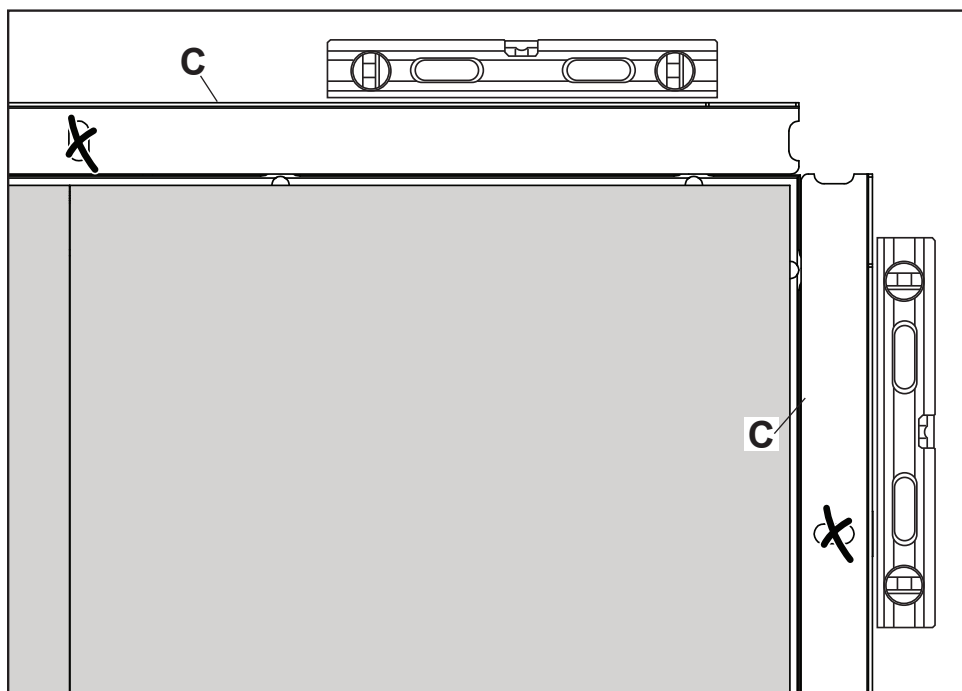
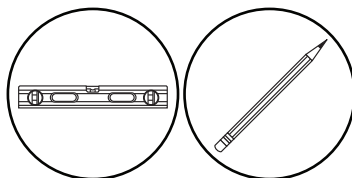
## 2-1

**ENG** Measure video wall dimensions



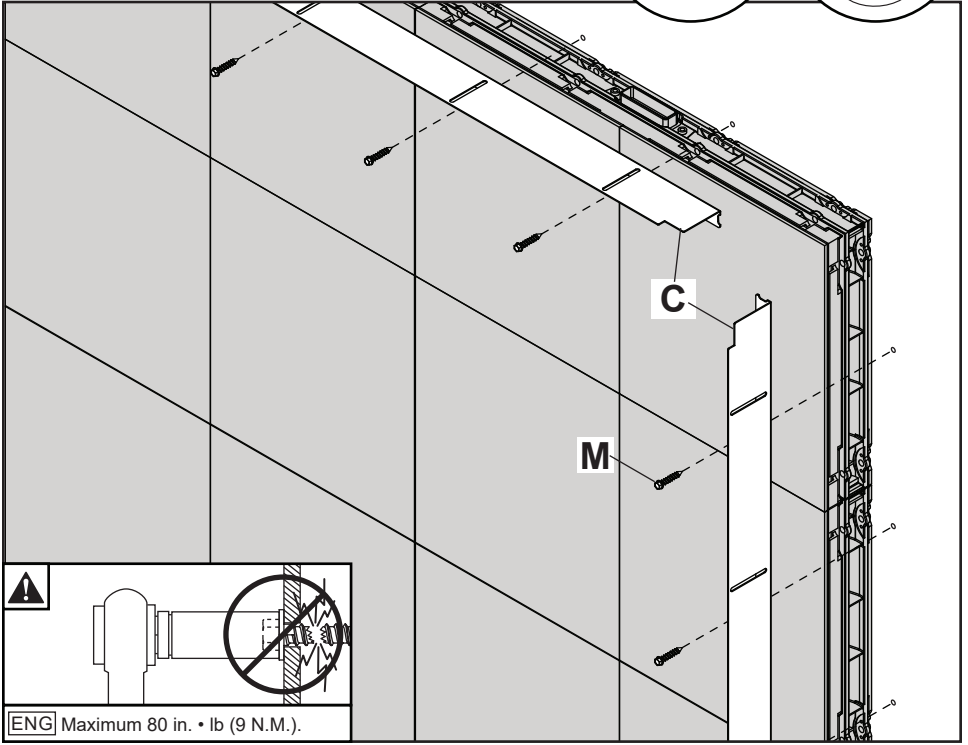
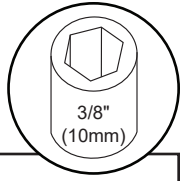
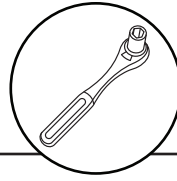
## 4-1

**ENG** Align wall plates with display guiding lines. Mark mounting holes.



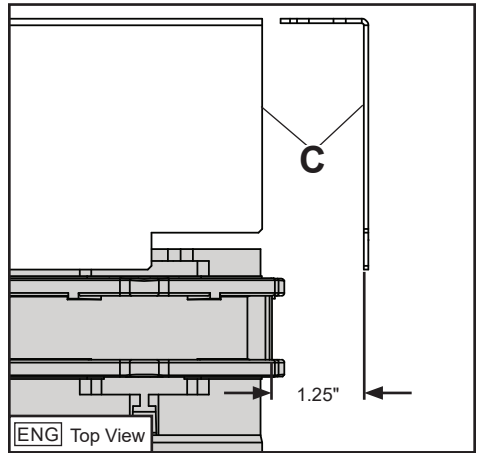
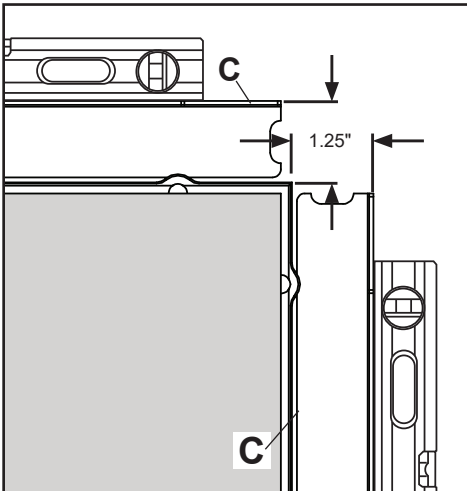
# 4-3

**ENG** Install using wood screws provided.



**ENG** Maximum 80 in. • lb (9 N.M.).

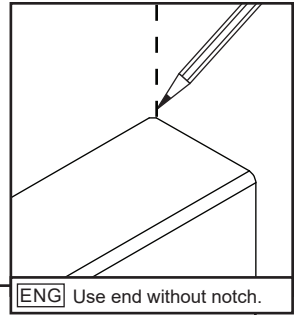
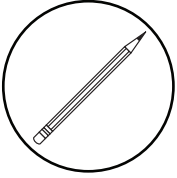
**ENG** Slide wall brackets in slot until they sit 1.25" from display guiding lines. Level and tighten wood screws.



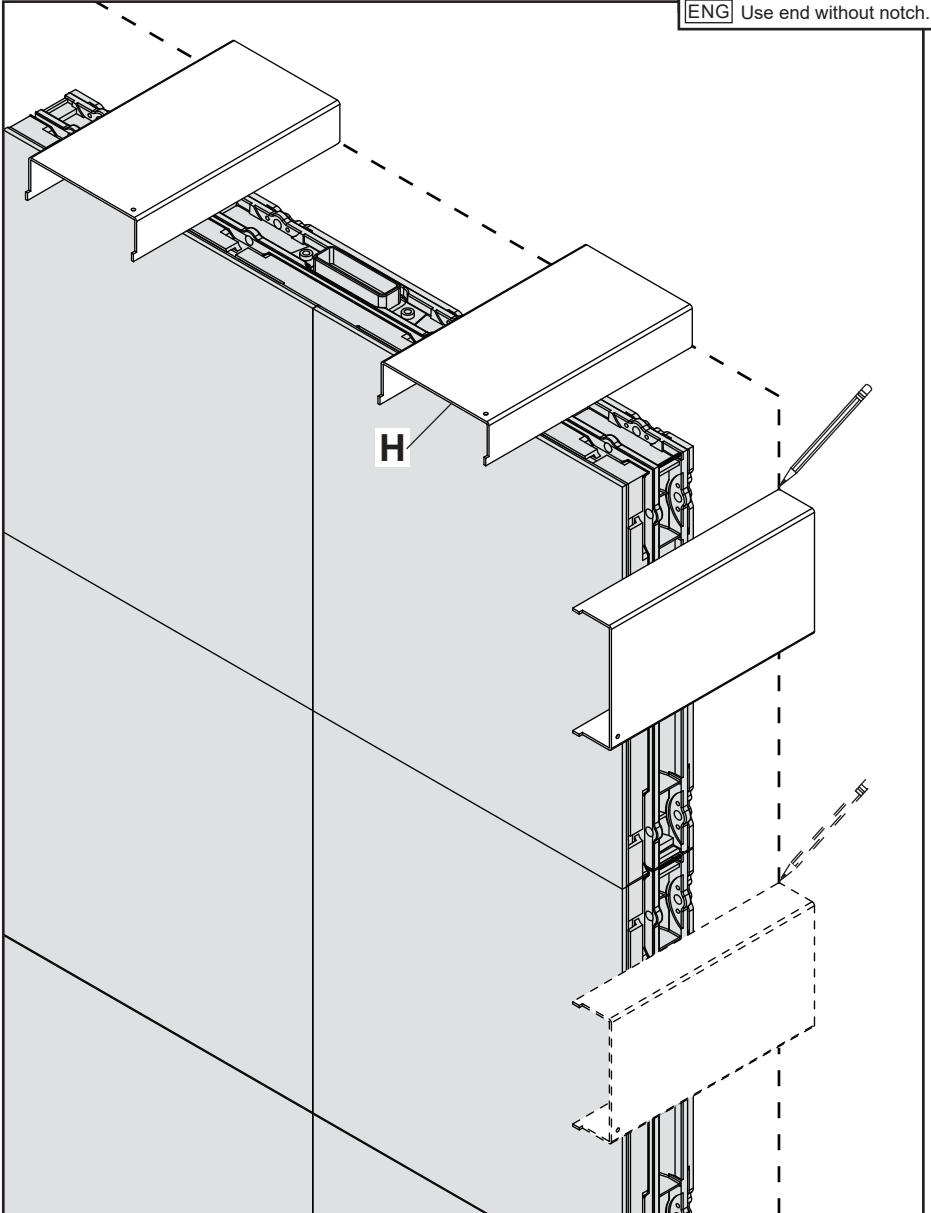
**ENG** Top View

# 6-1

**ENG** To begin installing perforated trim on Unilumin UpanelS edges with bump-outs, create guiding line around unit using spacer provided.



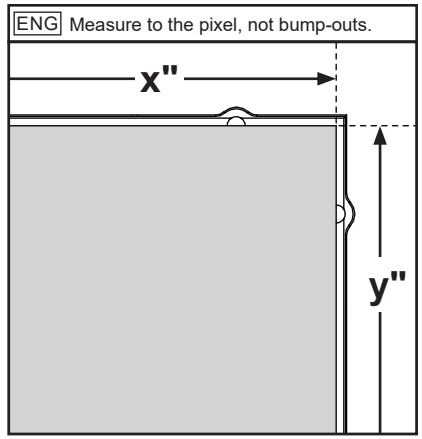
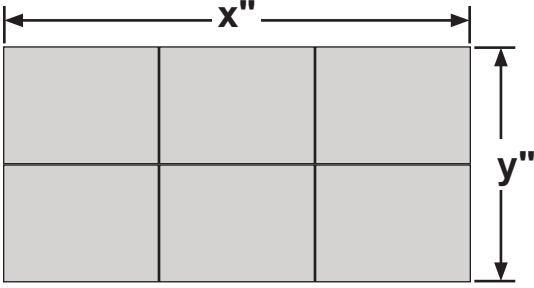
**ENG** Use end without notch.





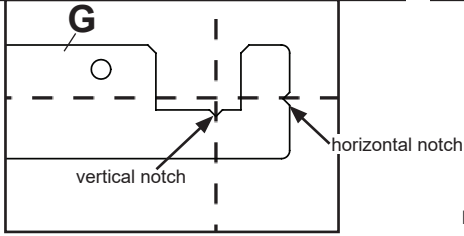
# 6-2

ENG Measure video wall dimensions

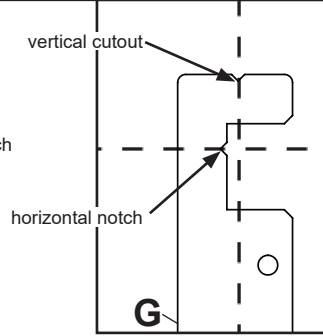


## 8-1

**ENG** To avoid the display bump-outs, align vertical and horizontal notch with guiding lines.

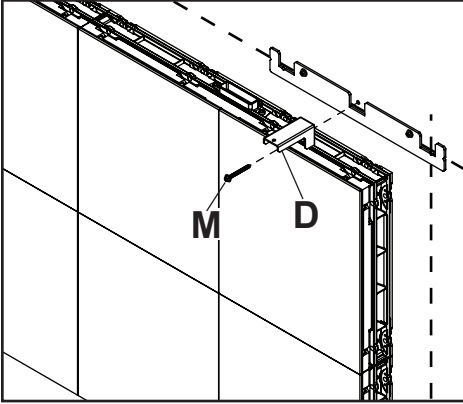


**ENG** To avoid the display bump-outs, align vertical and horizontal notch with guiding lines.

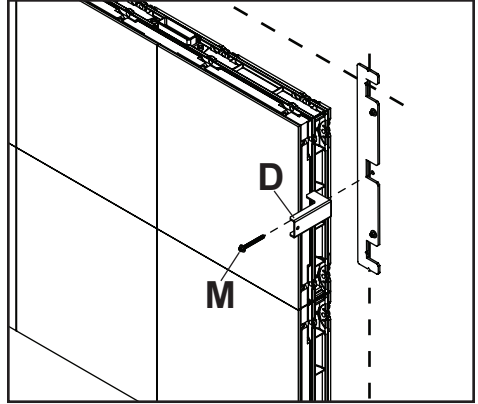


## 8-2

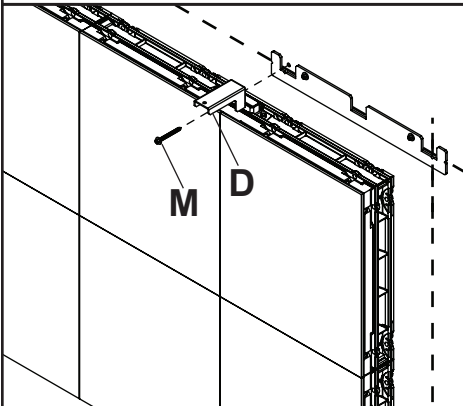
**ENG** For 5 ft. covers, install first bracket in the middle space, then every 12". Optional: Use wood screws to hold spacer in place.



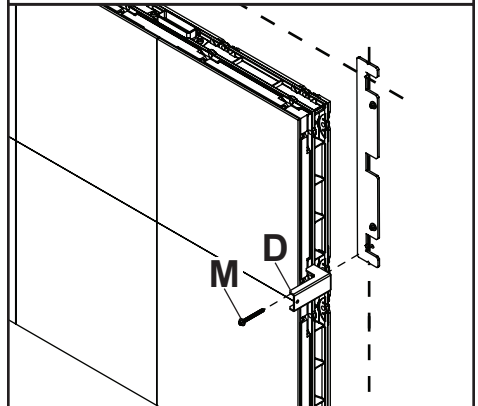
**ENG** For 5 ft. covers, install first bracket in the middle space, then every 12". Optional: Use wood screws to hold spacer in place.



**ENG** For 6 - 8 ft. covers, install first bracket at the end space, then every 12". Optional: Use wood screws to hold spacer in place.

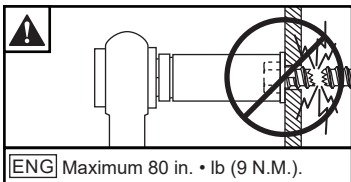
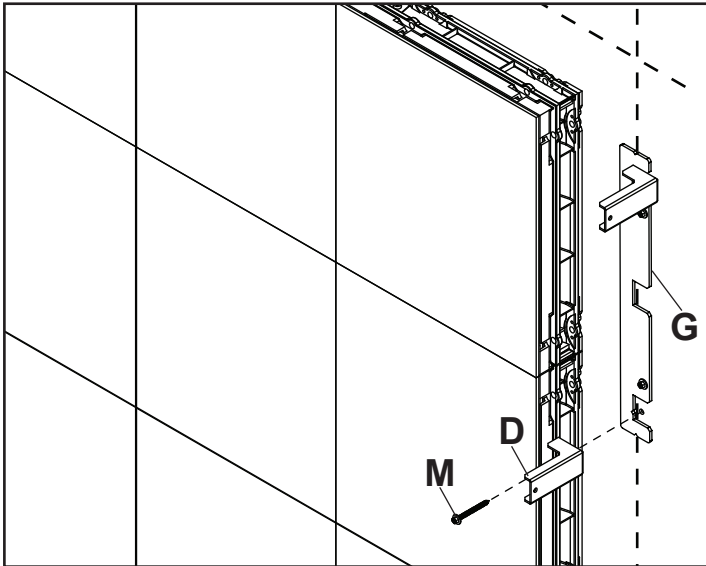
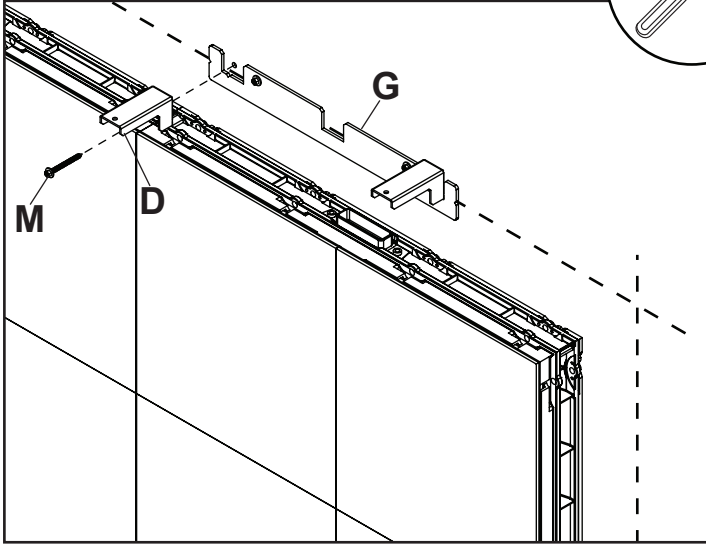
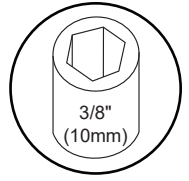
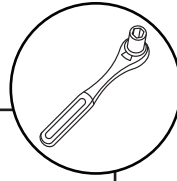


**ENG** For 6 - 8 ft. covers, install first bracket at the end space, then every 12". Optional: Use wood screws to hold spacer in place.



# 8-3

**ENG** Keep wallplates level using spacer. Install every 12" with wood screws provided.



ENG Warranty  
ITL Garanzia

ESP Garantía  
ČEŠ Záruka

FRN Garantie  
SLK Záruka

DEU Garantie  
POR Garantia

NEL Garantie  
TÜR Garanti

[www.peerless-av.com/warranty](http://www.peerless-av.com/warranty)

**peerless-AV<sup>®</sup>**

**Peerless-AV**

2300 White Oak Circle  
Aurora, IL 60502  
Email: [tech@peerlessmounts.com](mailto:tech@peerlessmounts.com)  
Ph: (800) 865-2112  
Fax: (800) 359-6500  
[www.peerless-av.com](http://www.peerless-av.com)

© 2020, Peerless Industries, Inc.

**Peerless-AV Europe**

Unit 3 Watford Interchange,  
Colonial Way, Watford, Herts,  
WD24 4WP, United Kingdom  
Customer Care  
44 (0) 1923 200 100  
[www.peerless-av.com](http://www.peerless-av.com)

© 2020, Peerless Industries, Inc.

**Peerless-AV América Latina**

Av. de las Industrias 413  
Parque Industrial Escobedo  
General Escobedo N.L., México 66062  
Servicio al Cliente  
01-800-849-65-77  
[www.peerless-av.com](http://www.peerless-av.com)

© 2020, Peerless Industries, Inc.